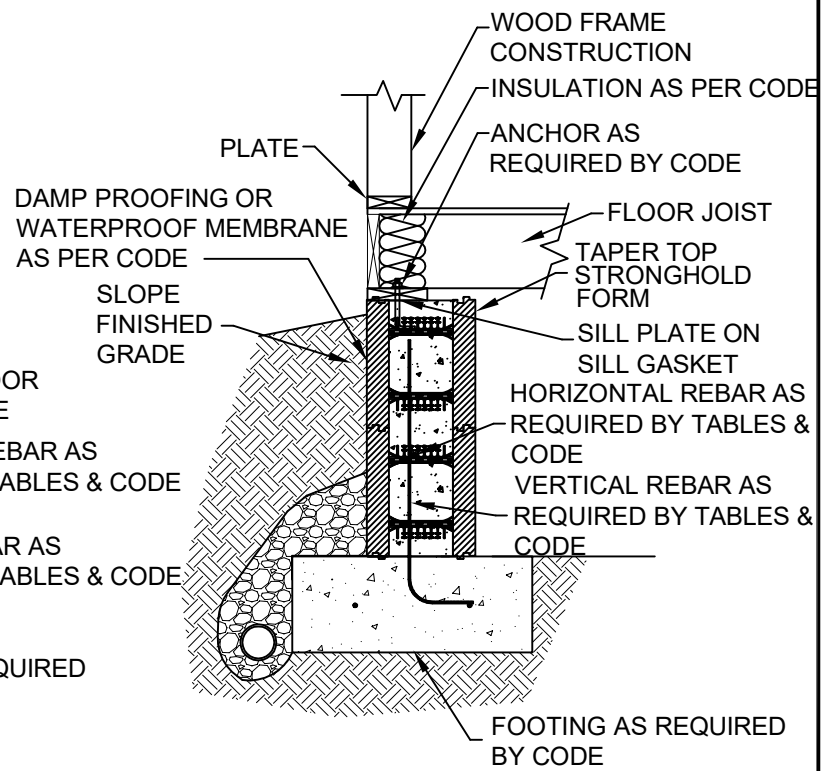
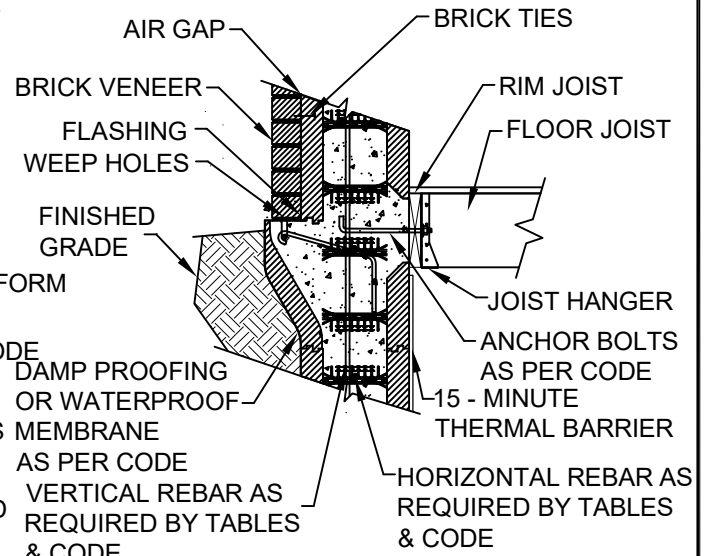
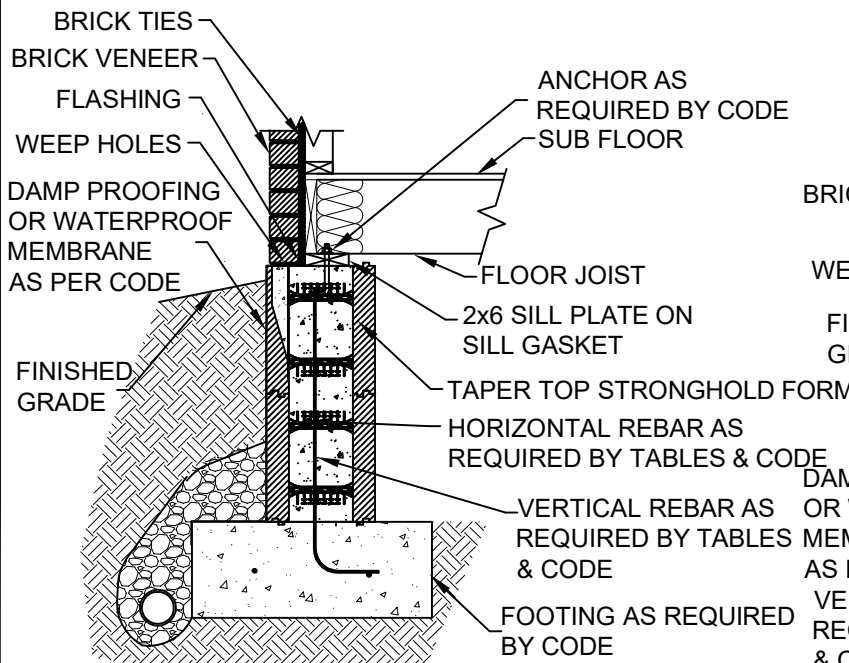


SLAB ON GRADE



CRAWL SPACE



BRICK VENEER



These tables and drawings are provided as a reference guide for use by designers. The user is responsible for modifying the drawings and information as needed to meet applicable building code and construction practices. STRONGHOLD reserves the right to make changes to the drawings without notice and assumes no liability in connection with the use of this drawing including modifications, copying or distribution.

DRAWN: GL	DATE: 4/22/22	DRAWING: Footings
TITLE: STEM WALL FOUNDATIONS		